

Kalmar T2i WB 3450 mm / 136 in
Driving data
Kalmar T2i

Maximum road speed (km/h)	35
---------------------------	----

Weight of trucks

Truck weight (kg)	8750
Gross Combination Weight (kg)	85.000

Engine

Manufacturer / type designation	Cummins / B6.7
Fuel / type of engine	Diesel / 4 stroke
Emission stage / approval	EU Stage V
Number of cylinders / engine volume l	6-inline / 6,7
Power nominal max, according to ISO-3046 / at revs (kw / rpm)	168 / 2200
Torque max, according to ISO 3046 - at revs (Nm /rpm)	1186 / 1300
Starting battery, voltage / capacity (V-Ah)	2x12 / 2x99
Fuel Consumption, normal driving	5-9
AdBlue consumption, normal driving	5-10

Transmission

Manufacturer / type designation	Allison / 3000
Clutch, type	Torque converter / Lock-Up
Gearbox, type	Automatic Powershift
Number of gears, forward / reverse	6 / 1

Front axle

Manufacturer / type designation	Kalmar / FA11
Dynamic capacity (kg)	11250
Static capacity (kg)	15000

Rear axle

Manufacturer / type designation	Kalmar / RA38 12,2
Ratio	12,2 : 1
Dynamic capacity (kg)	38000
Static capacity (kg)	50000

Wheels

Manufacturer / type designation	Magna / MHSL
Dimensions, front / rear (inch)	295/60 R22,5
Overall diameter (mm)	926
Rim Dimensions, front / rear (inch)	8,25 / 22,5
Number of wheels, front / rear (*driven)	2 / 4*
Pressure (MPa)	8,3

5th Wheel

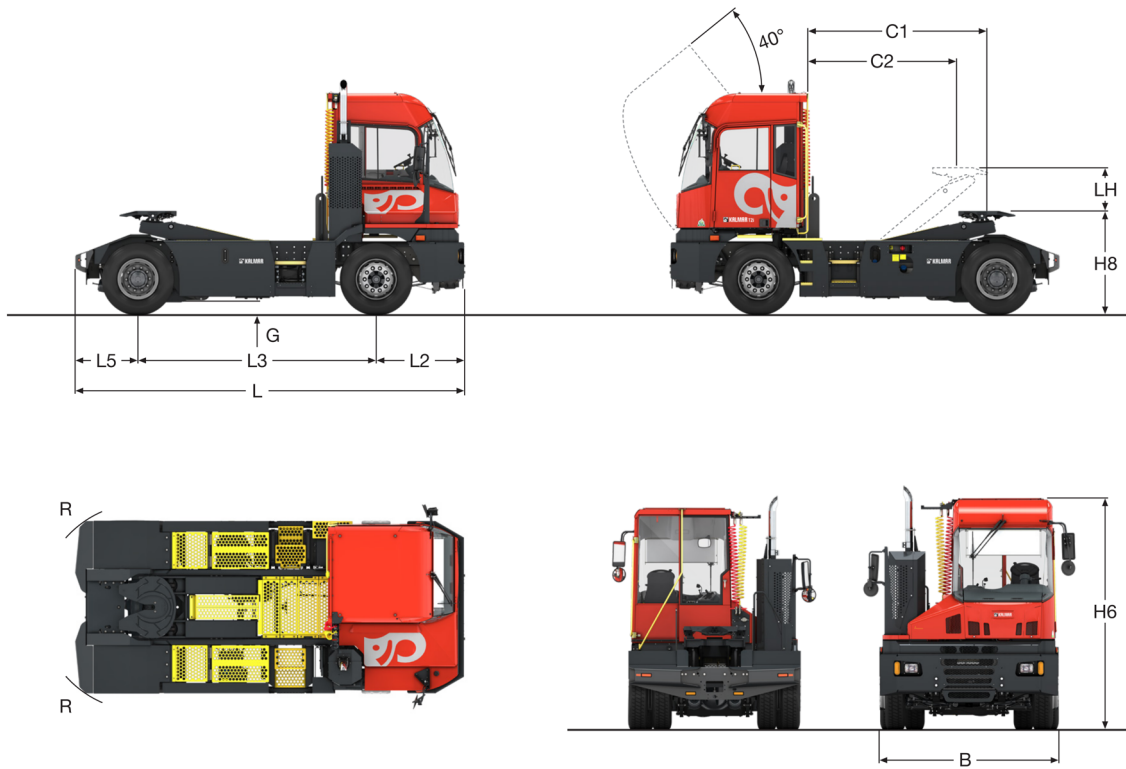
Manufacturer / type designation	Holland / FW 3510-TR-EG
Maximum vertical load capacity (kg)	36000
King-pin diameter (mm / inch)	50,8 / 2

Lifting cylinders

Type	Single stage - double acting
Lifting capacity (kg)	20000
Lifting height (mm)	431

Cabin

Cabin position	Left hand drive
Cabin upholstery	Basic
Driver seat model	BeGe 9110
Driver seat type	Air suspended seat with 3-point seat belt
Display type	Digital display (km/h, ° Celsius, bar)



Dimensions

Kalmar T2i

Wheelbase (mm)	L3	3450
Length (mm)	L	5360
Distance between centre of front axle - front bumper (mm)	L2	1265
Distance between centre of rear axle - front bumper (mm)	L5	640
Width (mm)	B	2500
Trailer clearance, boom up / boom down (mm)	C1 / C2	2476 / 2590

Miscellaneous

Steering system, type - maneuvering	Gearbox type integral power steering
Foot brake system, type - affected wheels	Drum brakes on 4 outer wheels
Parking brake system, type - affected wheels	Spring brake – Drive wheel
Noise level EN12053, inside the cabin (dB(A))	75
Noise level EN12053, outside the cabin (dB(A))	85
Hydraulic capacity (l/min) steering - lifting	38 - 78
Hydraulic oil volume (l)	75
Pneumatic capacity (CFM)	18,7
Pneumatic tank volume (l)	89
Fuel volume (l)	189
AdBlue volume (l)	35
Turning radius (mm)	6445

The designs and materials specification are subject to alternation without prior notice.
Tolerances according to K-standard 95430.0008/0009.

Kalmar offers the widest range of cargo handling solutions and services to ports, terminals, distribution centres and to heavy industry. Kalmar is the industry forerunner in terminal automation and in energy efficient container handling, with one in four container movements around the globe being handled by a Kalmar solution. Through its extensive product portfolio, global service network and ability to enable a seamless integration of different terminal processes, Kalmar improves the efficiency of every move. www.kalmarglobal.com



Cargotec Sweden AB
Movägen 1
SE-341 32, Ljungby, Sweden
tel. +46 372 260 00
www.kalmarglobal.com