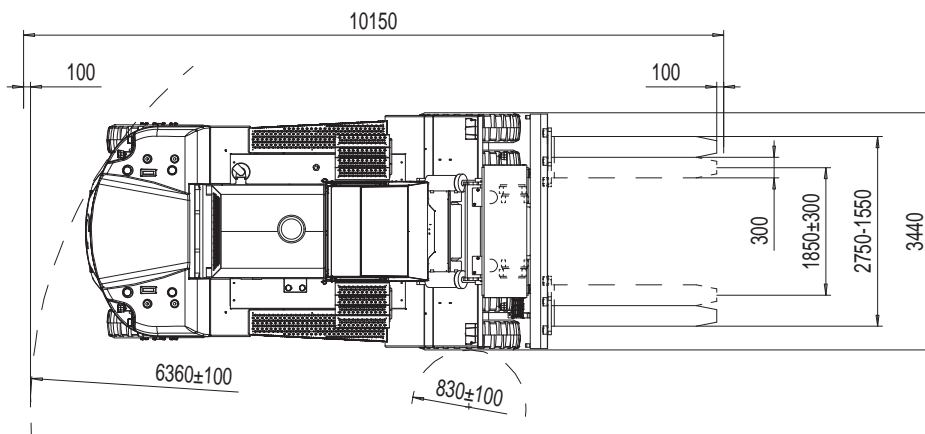
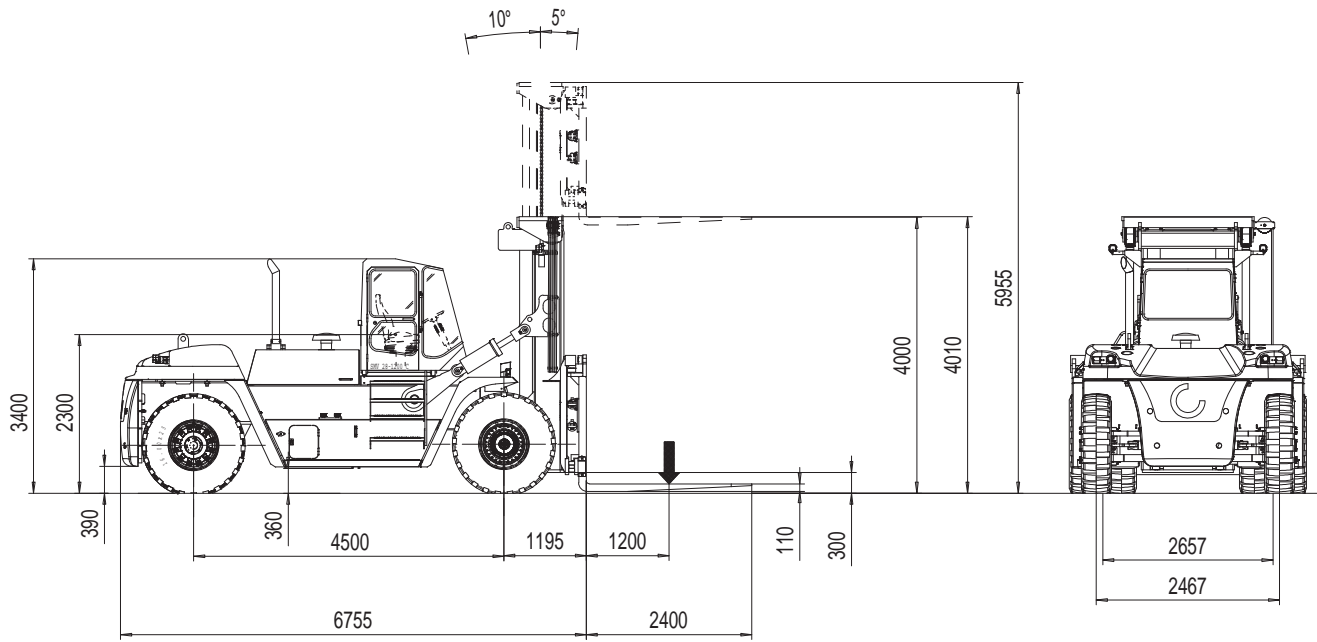
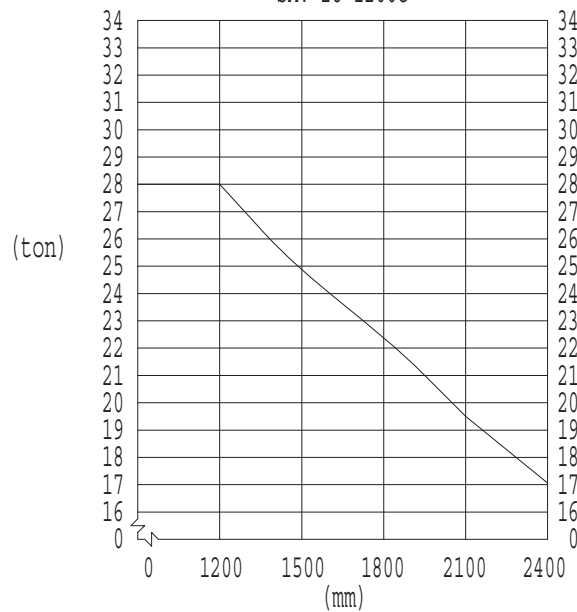


LIFTING DATA Lifting capacity / Load center (up to 9 000 mm / standard mast) Lifting speed, unloaded / at rated load Lowering speed, unloaded / at rated load	kg / mm m/s m/s	28 000 / 1 200 0,32 / 0,27 0,4 / 0,4
DRIVING DATA Drive speed forward, unloaded / at rated load Drive speed reverse, unloaded / at rated load Incline (driving ability) at rated load at 0 km/h/at 2 km/h Towing (power ability) at rated load at 0 km/h/at 2 km/h	km/h km/h % kN	24 / 23 24 / 23 33 / 22 225 / 156
SERVICE WEIGHT / AXLE PRESSURE Service weight Axle pressure front, unloaded / at rated load Axle pressure rear, unloaded / at rated load	kg kg kg	39 600 20 300 / 63 100 19 300 / 4 500
ENGINE (electronic controlled) Engine make / model name Emission approval EU / US Monitoring / emission controlled / CanBus Fuel / type of engine / intercooler Power ISO 3046 / max speed Torque ISO 3046 / at speed Displacement / No. of cylinders / type Fuel consumption, normal driving Alternator, type/power Starting battery, voltage/capacity	kW / rpm Nm / rpm L / / L/h W / Amp V / Ah	Volvo TAD-871-VE Stage 4 / Tier 4f Yes / yes / yes Diesel/4-stroke/ yes 185 / 2 200 1 160 / 1 200 7,7 / 6 / Inline 10 – 13 AC / 3 080 / 110 2 x 12 / 140
TRANSMISSION (electronic controlled) Transmission make / model name Monitoring / reverse protection / CanBus Clutch, type Transmission type / type of shift gear No. of gears, forward/reverse		ZF 4WG-191-B Yes / yes / yes Torque converter Softshift – Powershift / Automatic 4 / 3
DRIVE AXLE & STEER SYSTEM Drive axle make / model name Drive axle type / drive axle width Service brake system, type / affected wheels Parking brake system, type / affected wheels	/ mm	Kessler D91 Differential + hub reduction / 3 400 Oil cooled Wet Disc Brakes / drive wheels Dry disc brake / spring release / drive wheels
STEER AXLE & STEER SYSTEM Steer axle make / type Steering system		Konecranes / double acting single cylinder Hydraulic servo assisted / power steering
WHEELS Number of wheels, front+rear / Type (*driven) Tire pressure front / rear Tire dimensions (Ply rating) front / rear Rim dimension front / rear	MPa Inch (No) Inch	4*+2 / pneumatic 0,9 / 0,9 16.00 x 25" (PR 28) / 16.00 x 25" (PR 28) 11.25 x 25" / 11.25 x 25"
HYDRAULIC SYSTEM Hydraulic pump make / model name Hydraulic system / pump type Power-on-demand / Low energy <u>Hydraulic oil pressure mast</u>	MPa	Parker & Hannifin / P2-series Load sensing system / variable piston pump Yes / yes 20
TANK VOLUMES Diesel tank volume Hydraulic tank volume	L L	316 355
LIFTING EQUIPMENT Lift mast make / model Lift mast type / design Fork carriage make / model Fork carriage type		Konecranes / Duplex standard 2-stage / free visibility Konecranes / integral double forks Hydraulic side shift & fork positioning
OTHERS Noise level (inside Cab / Lm) DIN 45635 Noise level (inside Cab/ LpAZ) EN 12053 Noise level (outside at 7 m/ Lwa) 2000/14/EC	dB(A) dB(A) dB(A)	68 75 110
NORMS & STANDARDS Machine Directive in Europe Stability of Industrial Trucks Safety of Industrial Trucks	2006 / 42 / EC ISO 1074 EN ISO 3691-1	Yes Yes Yes



SMV 28-1200C



ncnielsen

7860 Balling · tlf: 99 83 83 83 · fax: 97 56 46 24
 e-mail: linde@nc-nielsen.dk · www.nc-nielsen.dk